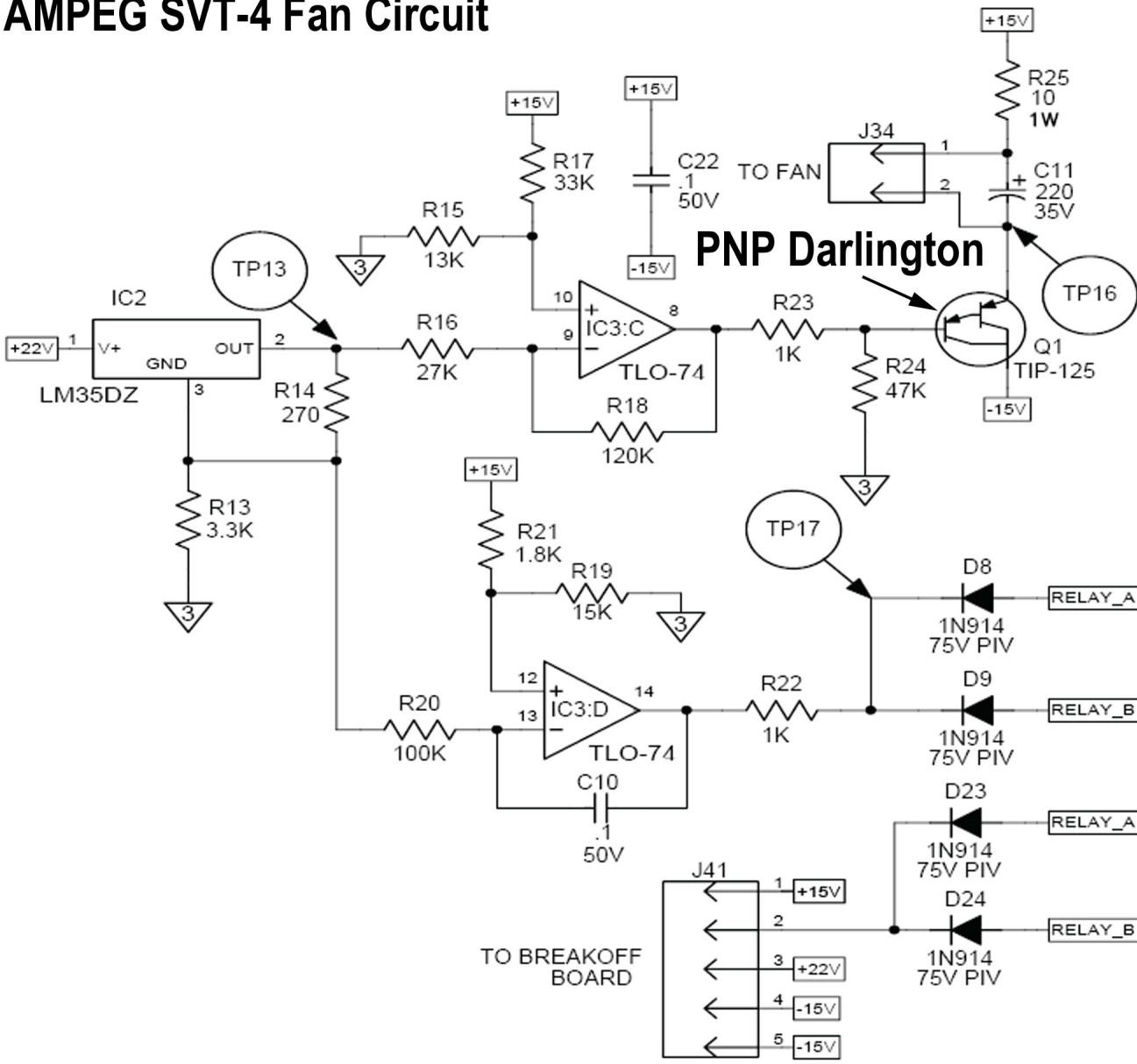


AMPEG SVT-4 Fan Circuit



Check voltage rating on fan. It should fall between 12v and 24 v considering that the available power is bipolar 15 volts.

If the IC is not socketed, you might want to remove it and install a socket. With no IC, the fan should just run via R23 and R24. If it does, that much is good. If it doesn't you know which side of the IC has a problem.