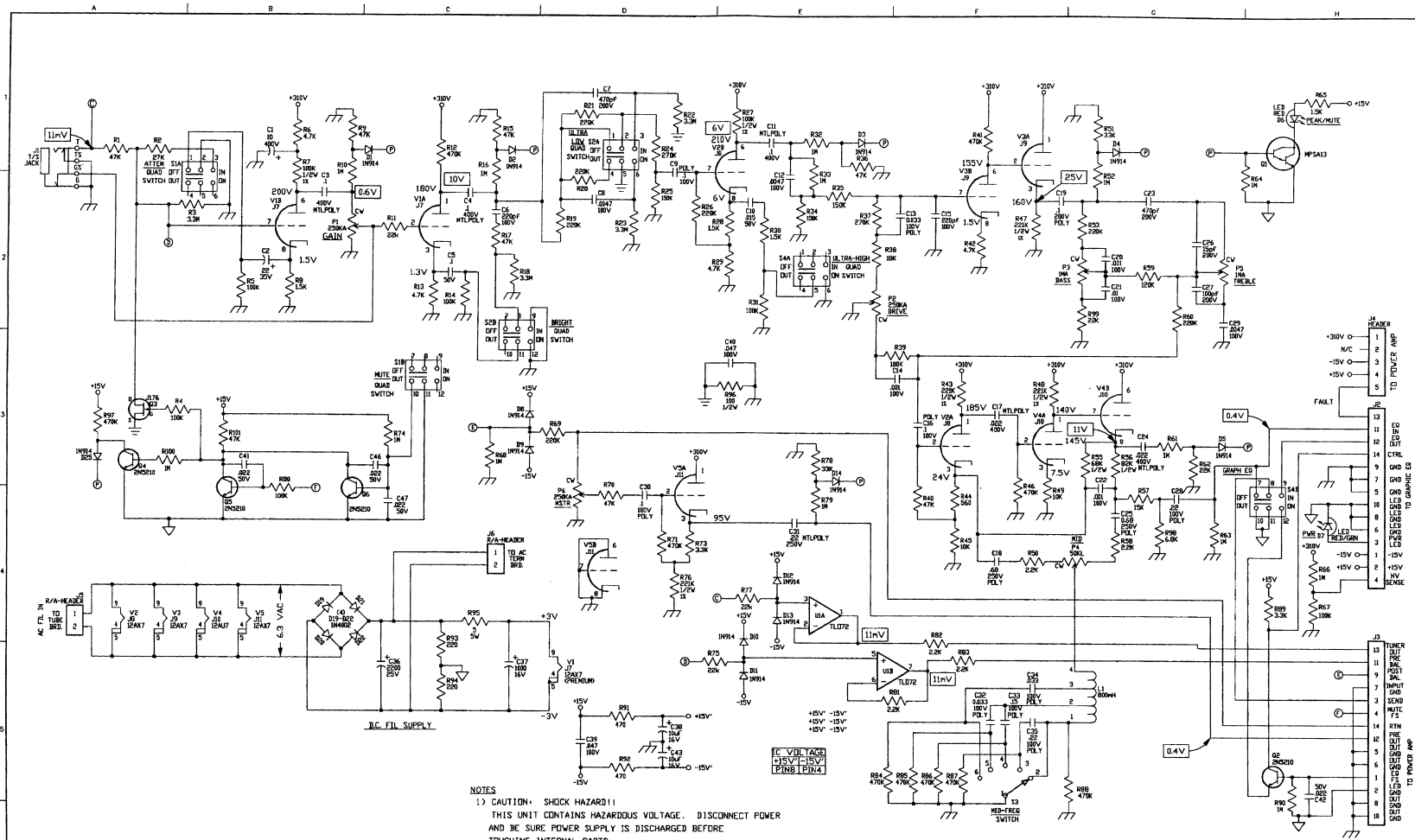


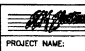
SVT-2 PRO PREAMP

Ampeg



- NOTES**
- 1) CAUTION: SHOCK HAZARD!! THIS UNIT CONTAINS HAZARDOUS VOLTAGE. DISCONNECT POWER AND BE SURE POWER SUPPLY IS DISCHARGED BEFORE TOUCHING INTERNAL PARTS.
 - 2) UNLESS NOTED, RESISTOR VALUES IN OHMS, 1/4W-5% TOL. CAPACITOR VALUES IN MICROFARADS, 50V-10% TOL.
 - 3) VOLTAGES ARE MEASURED WITH 1 MEGOHM OSCILLOSCOPE AND 10 MEGOHM DIGITAL VOLTMEETER.
 - 4) VOLTAGES IN RECTANGLES ARE RMS SIGNAL VOLTAGES. OTHER VOLTAGES ARE D.C. IN CONDITIONS STATED.
 - 5) CIRCUIT GROUND \perp DIRTY GROUND ∇ CHASSIS GROUND \oplus

REV	DATE	BY	CHK'D	DESCRIPTION
3	06/18/94	LMA		REV CHG TO REFLECT JUMPER CHG PER E150
2				
1				

SIGNATURES:	DATE:	 TERRY BOHMAN DRL ST. LOUIS, MISSOURI 63105
DRAWN: ERW	3/30/93	
CHK'D:		PROJECT NAME:
APP'D:		SVT-2 PRO
ORIGINAL ISSUED:		DRAWING NAME:
PLOT DATE:	05/18/94	PRE AMP SCHEMATIC
PLOT TIME:	09:42:37	DRAWING NO. 075519-03
FILE NAME:	S1903-32	SCALE: 1:1
		SHEET: 1 OF 1