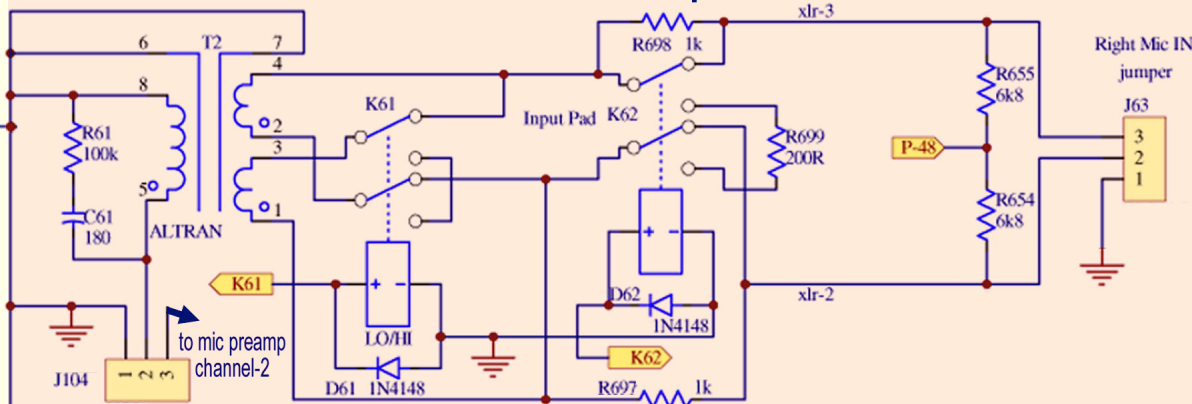
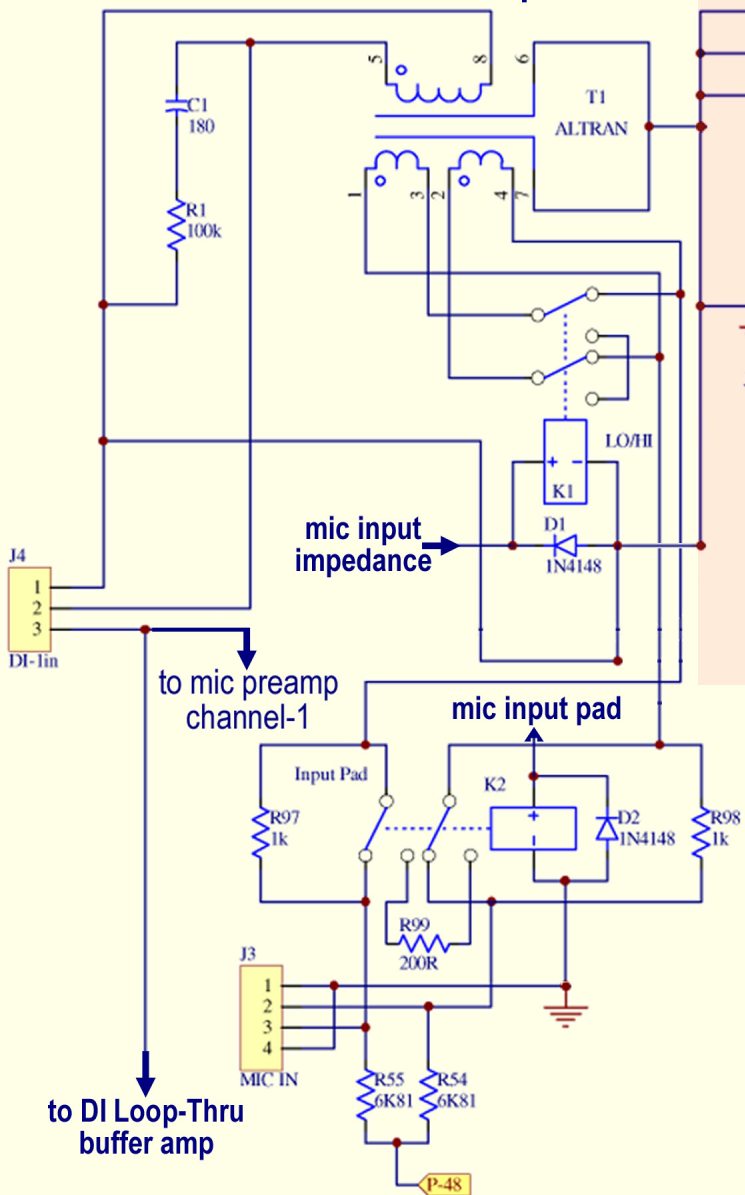


Channel-1 mic input

Channel-2 mic input



C1	180pF	ch-1 Z-net
D-1	1N4148	diode-sig K-1
D-2	1N4148	diode-sig K-2
J3	xlr-female, pcb mount	Left (ch-1) mic input
J4	1/4-inch jack, mono with normal	tip = IN, normal = xfrmr secondary
K1	24 volt dpdt relay	input Z
K2	24 volt dpdt relay	Input pad
R1	100k	ch-1 Z-net
R54	6k8	ch-1 mic
R55	6k8	ch-1 mic
R97	1K	ch-1 input pad
R98	1K	ch-1 input pad
R99	200	ch-1 input pad
T1	Altran C-3402-2	mic input transformer
J2	10-pin shrouded male header	L&R Z-pad-48v
sw-801	Z was SPDT toggle	DPDT push
sw-802	pad was SPDT toggle	DPDT push
sw-805	phantom was SPDT toggle	DPDT push
C61	180pF	ch-2 Z-net
D-611	1N4148	diode-sig K-64
D-62	1N4148	diode-sig K-62
J104	1/4-inch jack, mono with normal	tip = IN, normal = xfrmr secondary
J63	xlr-female, pcb mount	Right (ch-2) mic input
R61	100k	ch-1 Z-net
R654	6k8	ch-1 phantom
R655	6k8	ch-1 phantom
R697	1K	ch-2 input pad
R698	1K	ch-2 input pad
R699	200	ch-2 input pad
T2	Altran C-3402-2	mic input transformer
sw-902	pad was SPDT toggle	DPDT push
sw-901	Z was SPDT toggle	DPDT push

Variable Fidelity VF-13

Microphone Preamp

Input Transformer Detail