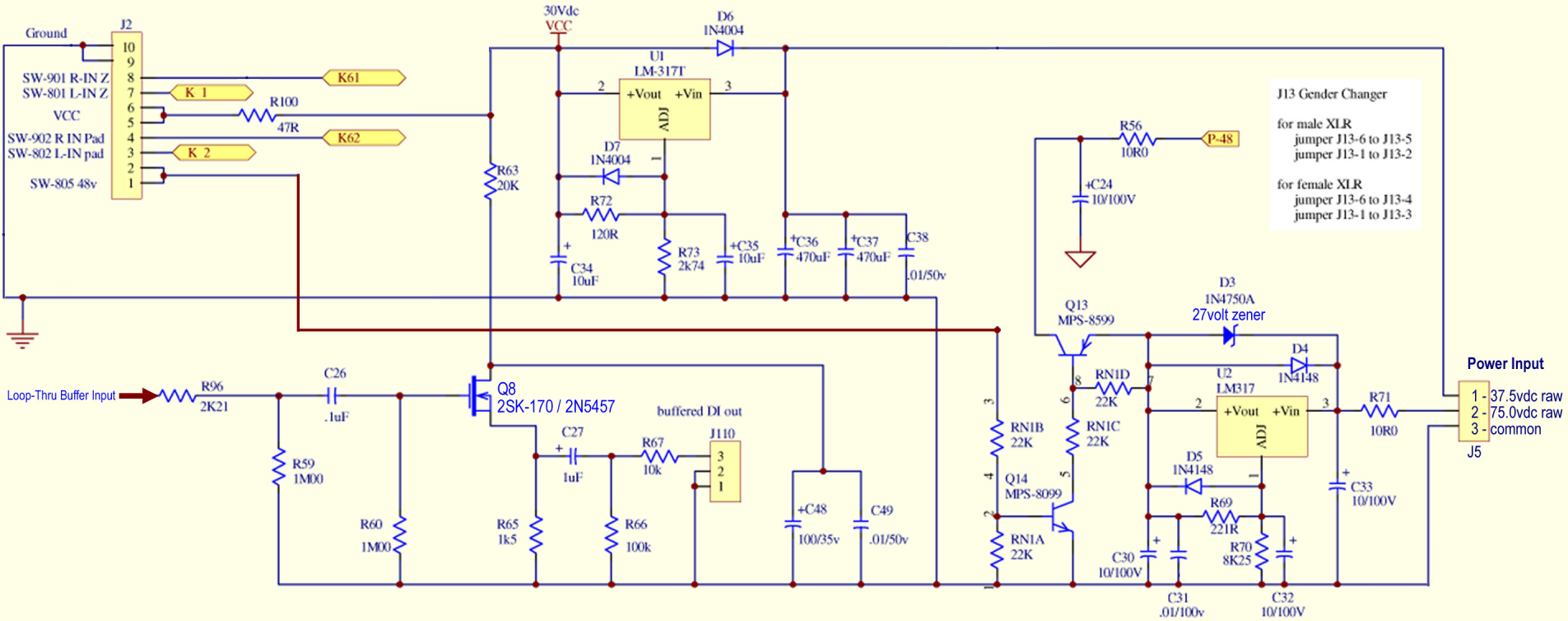


C26	.1uF	mono only
C27	1uF / 35v	mono only Loop-thru output
C48	100uF / 35v	mono only
C49	.01uF / 50v	mono only
Q8	2SK-170 / 2N5457	
R59	1M00	
R65	1K5	
R66	100k	
R67	10k	
R66	100K	
R67	10K	
R96	2k21	Loop-thru input

C34	10uF / 50v	
C35	10uF / 50v	
C36	470uF / 50v	
C37	470uF / 50v	
C38	.01 / 50v	
D-6	1N4004	diode-rect
D-7	1N4004	diode-rect
R72	120R	
R73	2k74	
U1	LM-317	regulator

C24	10uF / 100v	
C30	10uF / 100v	
C31	.01uF / 100v	
C32	10uF / 100v	
C33	10uF / 100v	
D-3	1N4750A	27 volt zener
D-4	1N4148	diode-sig
D-5	1N4148	diode-sig
Q13	MPS-8599 / MPS-A56G	PNP
Q14	MPS-8099	NPN
R56	10R0	48 volt output
R69	221R	need metal film
R70	8K25	need metal film
R71	10R	
RN1	22k	regulator
U2	LM-317L	regulator

J110	3-pin 0.1-inch spacing jumper	loop-thru output
J2	10-pin shrouded male header	L&R Z-pad-48v
J5	3-pin latching male 0.1-inch spacing	DC power input



Variable Fidelity VF-13 Regulators and Loop-thru buffer amplifier details