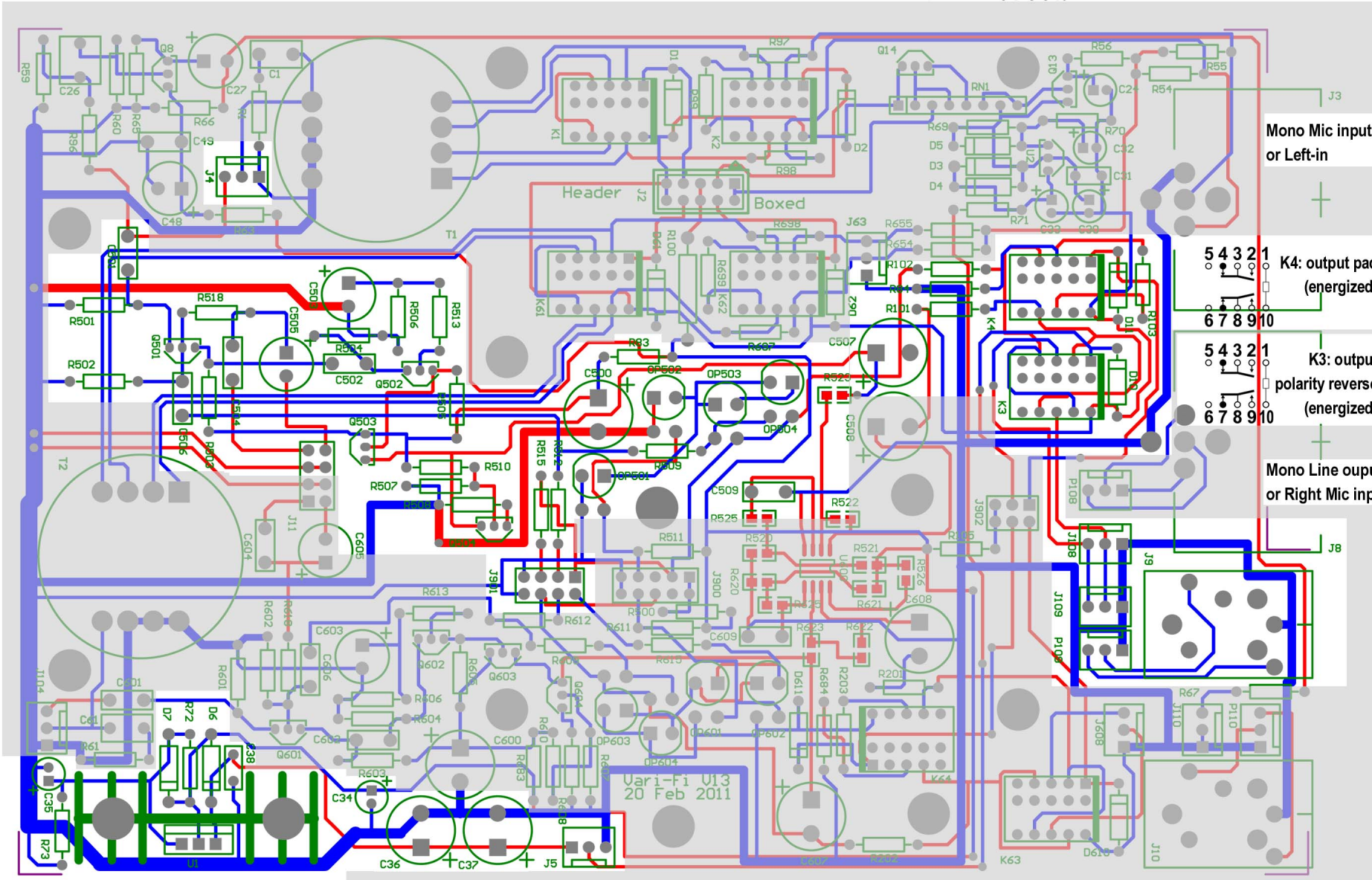
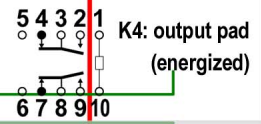


"relaxed" as-in NOT energized

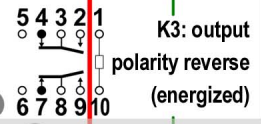


Vari-Fi V13  
20 Feb 2011

Mono Mic input  
or Left-in



K4: output pad  
(energized)



K3: output  
polarity reverse  
(energized)

Mono Line output  
or Right Mic input