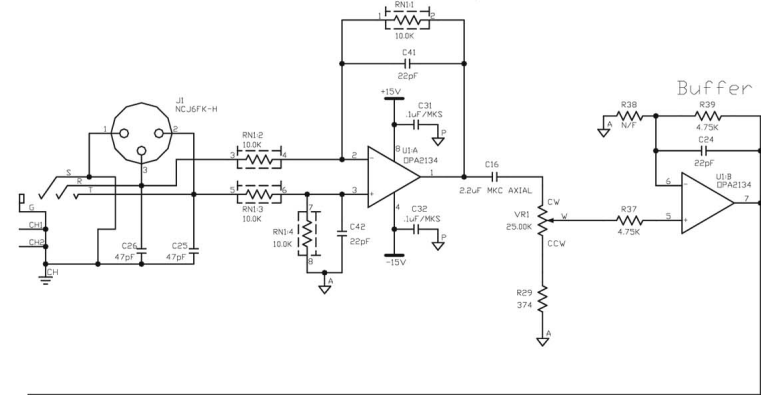
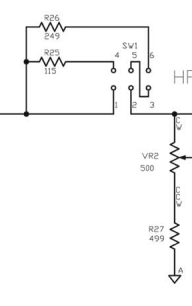


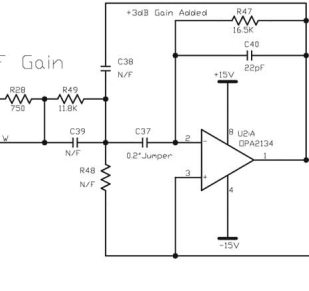
Balanced Diff. Input



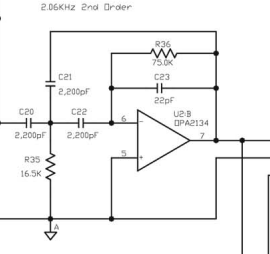
Buffer



HF Gain



High Pass Filter



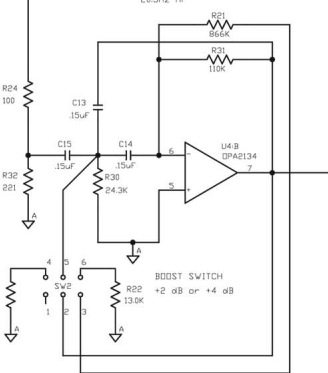
KRK Systems, Inc.

Schematic V8

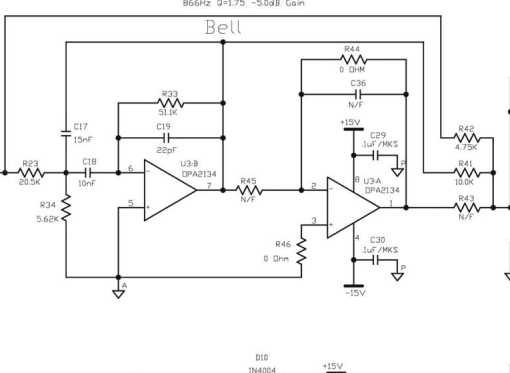
DES. NO. SD-130000-00 REV. 1

SCALE: DO NOT SCALE DRAWING SHEET 1 of 1

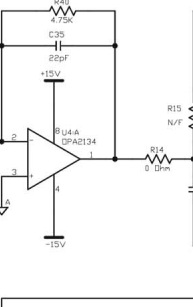
Subsonic Filter



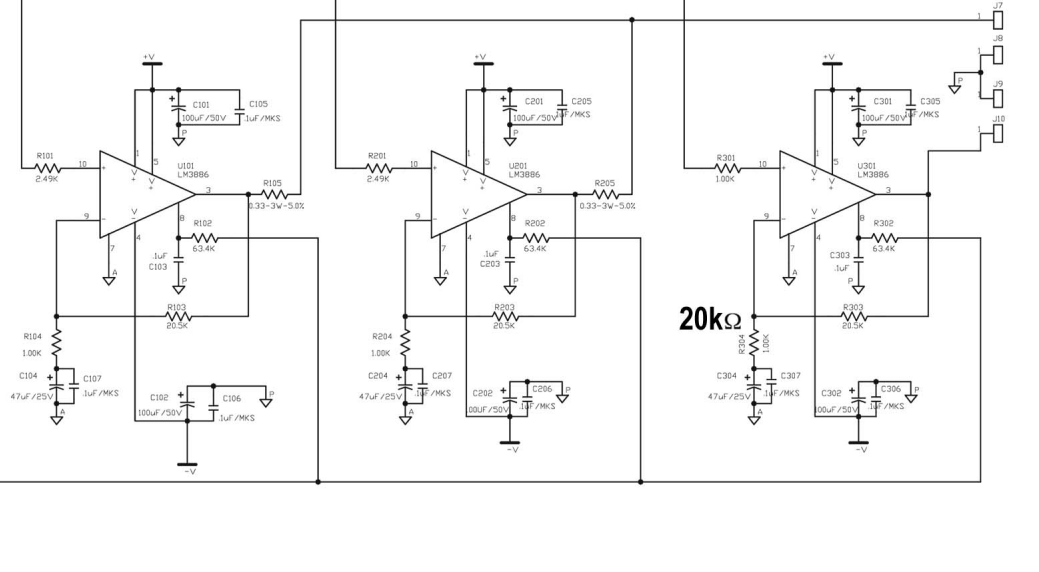
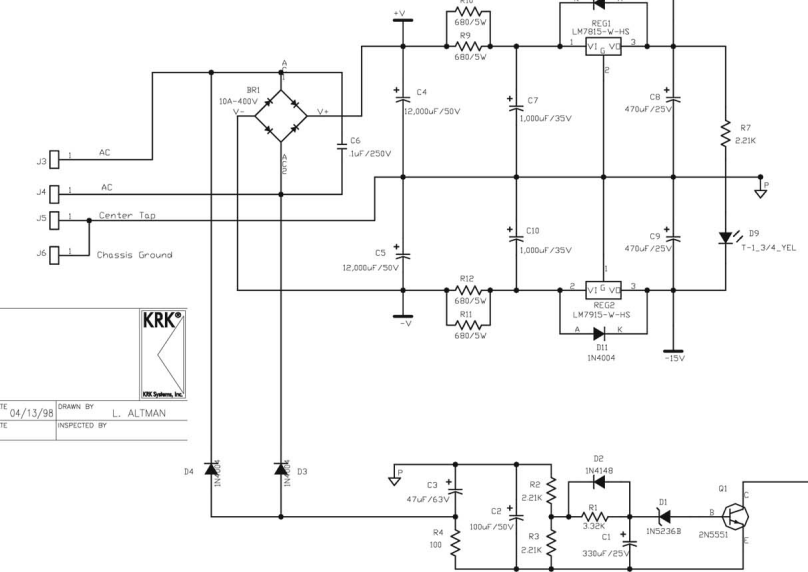
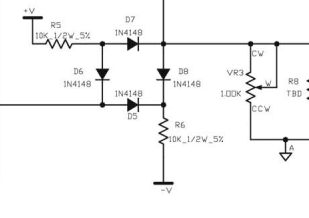
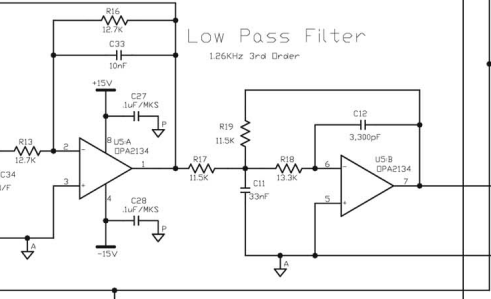
Bell



10kΩ Mixer



Low Pass Filter



DATE: 04/13/98 DRAWN BY: L. ALTMAN

DATE: INSPECTED BY: