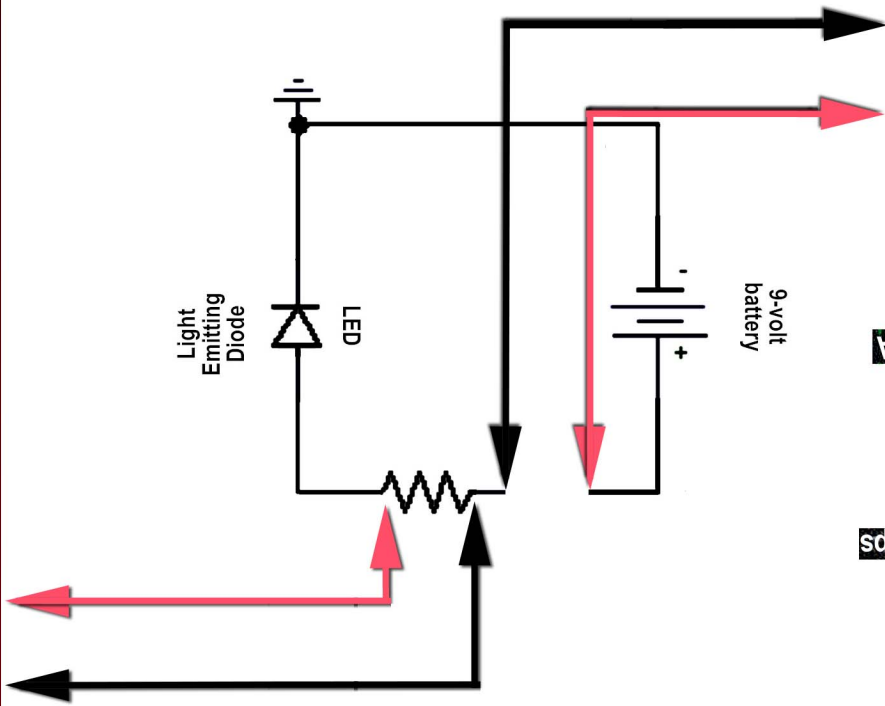




**VOLTS**

The Voltmeter is in PARALLEL with the device  
*across the component*



*through the circuit*

**AMPS**

